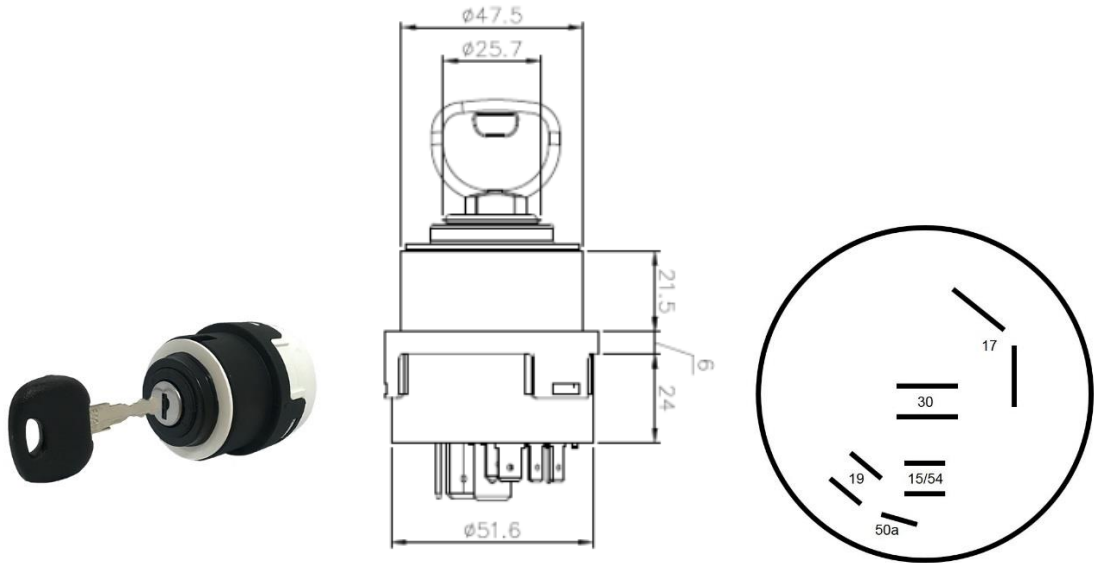


Technical Information Sheet

Part No. 0-351-20

4 Position Ignition Switch

4 position switch, off, ignition, pre-heat, start. Supplied with two keys (key no. 14603). Requires 26mm dia panel hole.



TERMS	0	1	2	3
30-15/54		█	█	█
30-19	←	█		
30-17	←	█	█	
30-50a	←	█	█	█

Specification

Type	Ignition switch
Voltage	12/24V
Max Load	70A @ 12V
Terminals	5 x 6.3mm and 4 x 9.5mm
Weight	207g
Dimensions	see diagram

The information provided in this document is correct to the best of our knowledge at time of printing. However, specifications may change at any time without notice.